

NEW: Variable sealing end in HVI® Lightning Protection

Gain space and simplify installation



Flexible installation ratio creates space

The new variable sealing end range enables flexible installation. Rigid specifications concerning the distance and thus wasted space on the roof – which is often desperately needed – are a thing of the past. This simplifies your day-to-day work and reduces installation time and material expenses.

Switch to the new system for the sealing end / adjustment range and reap these benefits:



Gain space



Save costs



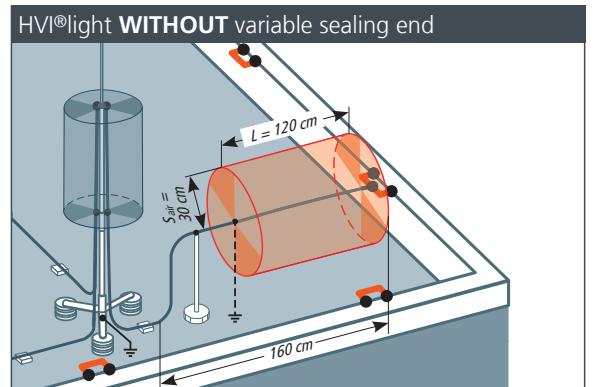
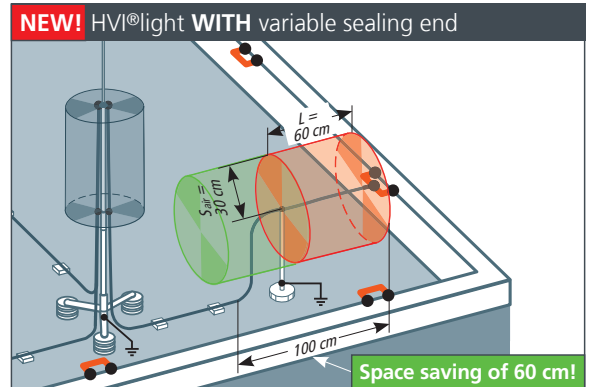
Increase safety






Allow flexibility

When do you need an additional sealing end range?

If the HVI® Conductor is not connected to the earth-termination system, but to parts carrying lightning voltage (for example, capping of the roof parapet or ring conductor), an additional sealing end range is required at the exit point (see picture).



One solution – available for all HVI®systems

S _{air} *	General specifications	HVI®light Conductor	HVI®long Conductor	HVI®power Conductor																														
17.5 - 45 cm	 <table border="1"> <tr> <td>Material of spacer</td> <td>Al / StSt</td> </tr> <tr> <td>Clamping range Rd MV clamp</td> <td>8-10 / 16 mm²</td> </tr> <tr> <td>Material of clamp</td> <td>Al</td> </tr> </table>	Material of spacer	Al / StSt	Clamping range Rd MV clamp	8-10 / 16 mm ²	Material of clamp	Al	<table border="1"> <tr> <td>Part No.</td> <td>105 460</td> </tr> <tr> <td>Type</td> <td>DIDH PAE 17 D16 750 AL V2A</td> </tr> <tr> <td>Length of spacer</td> <td>750 mm</td> </tr> <tr> <td>Conductor holder support Rd</td> <td>17 mm</td> </tr> </table>	Part No.	105 460	Type	DIDH PAE 17 D16 750 AL V2A	Length of spacer	750 mm	Conductor holder support Rd	17 mm	<table border="1"> <tr> <td>Part No.</td> <td>105 461</td> </tr> <tr> <td>Type</td> <td>DIDH PAE 20 D16 1250 AL V2A</td> </tr> <tr> <td>Length of spacer</td> <td>1250 mm</td> </tr> <tr> <td>Conductor holder support Rd</td> <td>20 mm</td> </tr> </table>	Part No.	105 461	Type	DIDH PAE 20 D16 1250 AL V2A	Length of spacer	1250 mm	Conductor holder support Rd	20 mm	<table border="1"> <tr> <td>Part No.</td> <td>105 462</td> </tr> <tr> <td>Type</td> <td>DIDH PAE 27 D16 1270 AL V2A</td> </tr> <tr> <td>Length of spacer</td> <td>1270 mm</td> </tr> <tr> <td>Conductor holder support Rd</td> <td>27 mm</td> </tr> </table>	Part No.	105 462	Type	DIDH PAE 27 D16 1270 AL V2A	Length of spacer	1270 mm	Conductor holder support Rd	27 mm
Material of spacer	Al / StSt																																	
Clamping range Rd MV clamp	8-10 / 16 mm ²																																	
Material of clamp	Al																																	
Part No.	105 460																																	
Type	DIDH PAE 17 D16 750 AL V2A																																	
Length of spacer	750 mm																																	
Conductor holder support Rd	17 mm																																	
Part No.	105 461																																	
Type	DIDH PAE 20 D16 1250 AL V2A																																	
Length of spacer	1250 mm																																	
Conductor holder support Rd	20 mm																																	
Part No.	105 462																																	
Type	DIDH PAE 27 D16 1270 AL V2A																																	
Length of spacer	1270 mm																																	
Conductor holder support Rd	27 mm																																	
45 - 75 cm	 <table border="1"> <tr> <td>Material of spacer / tripod</td> <td>StSt</td> </tr> <tr> <td>Radius</td> <td>320 mm</td> </tr> <tr> <td>Clamping range UNI earthing clamp (Rd / stranded)</td> <td>8-10 / 4-50 mm²</td> </tr> </table>	Material of spacer / tripod	StSt	Radius	320 mm	Clamping range UNI earthing clamp (Rd / stranded)	8-10 / 4-50 mm ²	—	<table border="1"> <tr> <td>Part No.</td> <td>105 469</td> </tr> <tr> <td>Type</td> <td>V DBS RA320 PAE 20 V 600 1180 V2A</td> </tr> <tr> <td>Length of variable spacer</td> <td>600-1180 mm</td> </tr> <tr> <td>Conductor holder support Rd</td> <td>20 mm</td> </tr> </table>	Part No.	105 469	Type	V DBS RA320 PAE 20 V 600 1180 V2A	Length of variable spacer	600-1180 mm	Conductor holder support Rd	20 mm	<table border="1"> <tr> <td>Part No.</td> <td>105 468</td> </tr> <tr> <td>Type</td> <td>V DBS RA320 PAE 27 V 600 1180 V2A</td> </tr> <tr> <td>Length of spacer</td> <td>600-1180 mm</td> </tr> <tr> <td>Conductor holder support Rd</td> <td>27 mm</td> </tr> </table>	Part No.	105 468	Type	V DBS RA320 PAE 27 V 600 1180 V2A	Length of spacer	600-1180 mm	Conductor holder support Rd	27 mm								
Material of spacer / tripod	StSt																																	
Radius	320 mm																																	
Clamping range UNI earthing clamp (Rd / stranded)	8-10 / 4-50 mm ²																																	
Part No.	105 469																																	
Type	V DBS RA320 PAE 20 V 600 1180 V2A																																	
Length of variable spacer	600-1180 mm																																	
Conductor holder support Rd	20 mm																																	
Part No.	105 468																																	
Type	V DBS RA320 PAE 27 V 600 1180 V2A																																	
Length of spacer	600-1180 mm																																	
Conductor holder support Rd	27 mm																																	
75 - 90 cm	 <table border="1"> <tr> <td>Material of spacer / tripod</td> <td>StSt</td> </tr> <tr> <td>Radius</td> <td>320 mm</td> </tr> <tr> <td>Clamping range UNI earthing clamp (Rd / stranded)</td> <td>8-10 / 4-50 mm²</td> </tr> </table>	Material of spacer / tripod	StSt	Radius	320 mm	Clamping range UNI earthing clamp (Rd / stranded)	8-10 / 4-50 mm ²	—	—	<table border="1"> <tr> <td>Part No.</td> <td>105 467</td> </tr> <tr> <td>Type</td> <td>V DBS RA320 PAE 27 V 750 1510 V2A</td> </tr> <tr> <td>Length of spacer</td> <td>750-1510 mm</td> </tr> <tr> <td>Conductor holder support Rd</td> <td>27 mm</td> </tr> </table>	Part No.	105 467	Type	V DBS RA320 PAE 27 V 750 1510 V2A	Length of spacer	750-1510 mm	Conductor holder support Rd	27 mm																
Material of spacer / tripod	StSt																																	
Radius	320 mm																																	
Clamping range UNI earthing clamp (Rd / stranded)	8-10 / 4-50 mm ²																																	
Part No.	105 467																																	
Type	V DBS RA320 PAE 27 V 750 1510 V2A																																	
Length of spacer	750-1510 mm																																	
Conductor holder support Rd	27 mm																																	

*S_{air} = separation distance

More at: www.de.hn/vse

Information on our registered trademarks in the internet at shortlink: de.hn/tm. Technical modifications, misprints, and errors are reserved. Figures are without obligation.

DS303/D/E/1218

© Copyright 2018 DEHN + SÖHNE

DEHN + SÖHNE
GmbH + Co.KG.
Tel.: +49 9181 906 0
info@dehn.de

www.dehn-international.com